

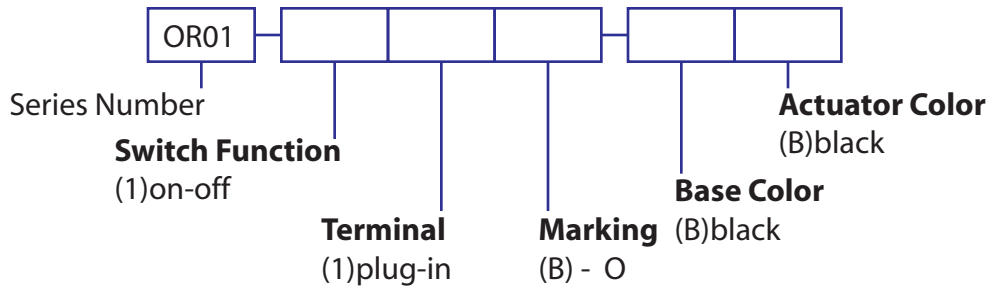
SPECIFICATION

Contact Rating: 3(3)A 250VAC T85/55 5E4(ENEC)  
 10A/125VAC 6A/250VAC(C-UL&UL)  
 Contact Resistance: 50mΩ (max) at initial  
 Insulation Resistance: 500MΩ (min) 500VDC  
 Dielectric Strength: 1500VAC/1 minute  
 Electrical Life: 50,000 cycles  
 Operation Force: 600+/-200g

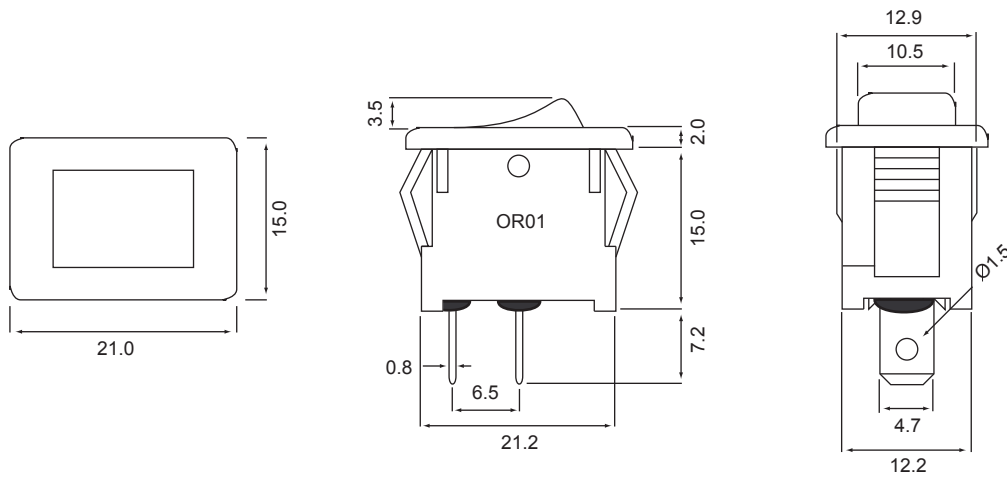
SERIES NUMBER: OR01



PART NUMBERING SYSTEM



DIMENSIONS(mm)



MOUNTING HOLE		PANEL DIMENSIONS		
	y	Thickness	Side x	Side y
		0.75-1.25	19.2-19.1	13.0-12.9
		1.25-2.00	19.4-19.3	13.0-12.9
		2.00-3.00	19.8-19.7	13.0-12.9

